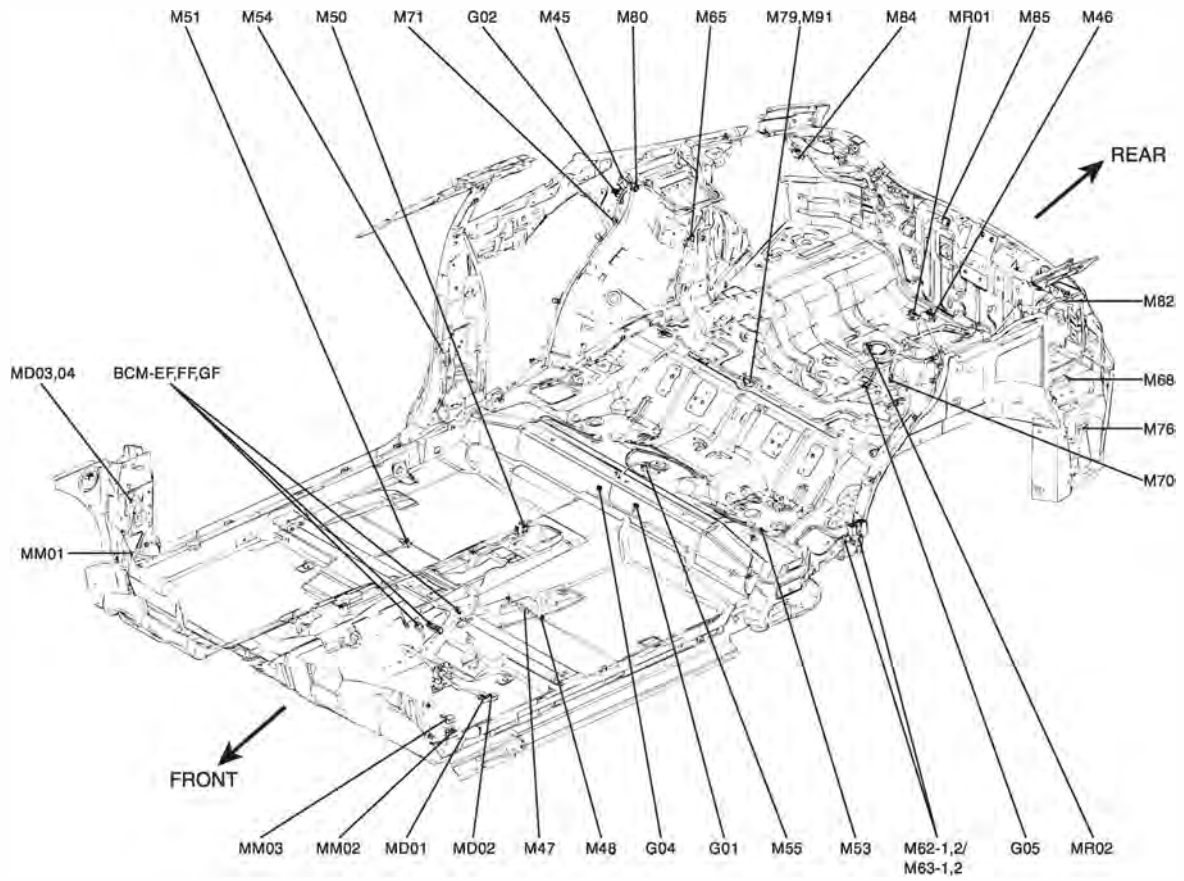


MAIN HARNESS**MAIN HARNESS (2)****HL-2****MAIN HARNESS****SWITCH EXT. HARNESS**

M01-1	Multifunction switch	M41	Burglar alarm relay	M14	Front fog lamp switch
M01-2	Multifunction switch	M42	Multi gauge unit	M43	Left front seat warmer switch
M01-3	Multifunction switch (Remocon SW)	BCM-HM	Connection with BCM MODULE harness	M44	Right front seat warmer switch
M04	Ignition switch	BCM-IM	Connection with BCM MODULE harness	MM08	Connection with MAIN harness
M05	Key remind switch	BCM-JM	Connection with BCM MODULE harness		
M06	Multipurpose check connector	BCM-KM	Connection with BCM MODULE harness		
M07	Data link connector	BCM-LM	Connection with BCM MODULE harness		
M10-1	Instrument cluster	EM01	Connection with ENGINE harness		
M10-2	Instrument cluster	EM02	Connection with ENGINE harness		
M10-3	Instrument cluster	MC01	Connection with CONTROL harness (2.0L)		
M11	Digital clock	MC02	Connection with CONTROL harness (2.0L)		
M13	Hazard switch	MC03	Connection with CONTROL harness (2.0L)		
M16-1	Audio	MC101	Connection with CONTROL harness (2.7L)		
M16-2	Audio remocon	MC102	Connection with CONTROL harness (2.7L)		
M19-1	A/C control module (Auto A/C)	MC103	Connection with CONTROL harness (2.7L)		
M19-2	A/C control module (Auto A/C)	MI01	Connection with GLOVE BOX LAMP harness		
M20	A/C control module (Manual A/C)	MI03	Connection with A/C harness (Manual A/C)		
M21	Blower switch (Manual A/C)	MI04	Connection with A/C harness (Manual A/C)		
M23	ESC switch	MI05	Connection with A/C harness (Auto A/C)		
M24	Steering angle sensor	MI06	Connection with A/C harness (Auto A/C)		
M26	Vertical resistor (W/O ESC)	MM01	Connection with FLOOR harness		
M27	Auto light sensor	MM02	Connection with FLOOR harness		
M29	Rheostat	MM03	Connection with FLOOR harness		
M31	Cigarette lighter	MM08	Connection with SWITCH EXT. harness		
M33	Joint connector	G11	Ground		
M34	Joint connector	G12	Ground		
M35	Joint connector	G13	Ground		
M36	Joint connector	G14	Ground		
M37	Photo sensor (Auto A/C)	Z01	Diode		
M39	Burglar alarm horn relay	Z02	Diode (Front fog lamp)		

FLOOR HARNESS (1)

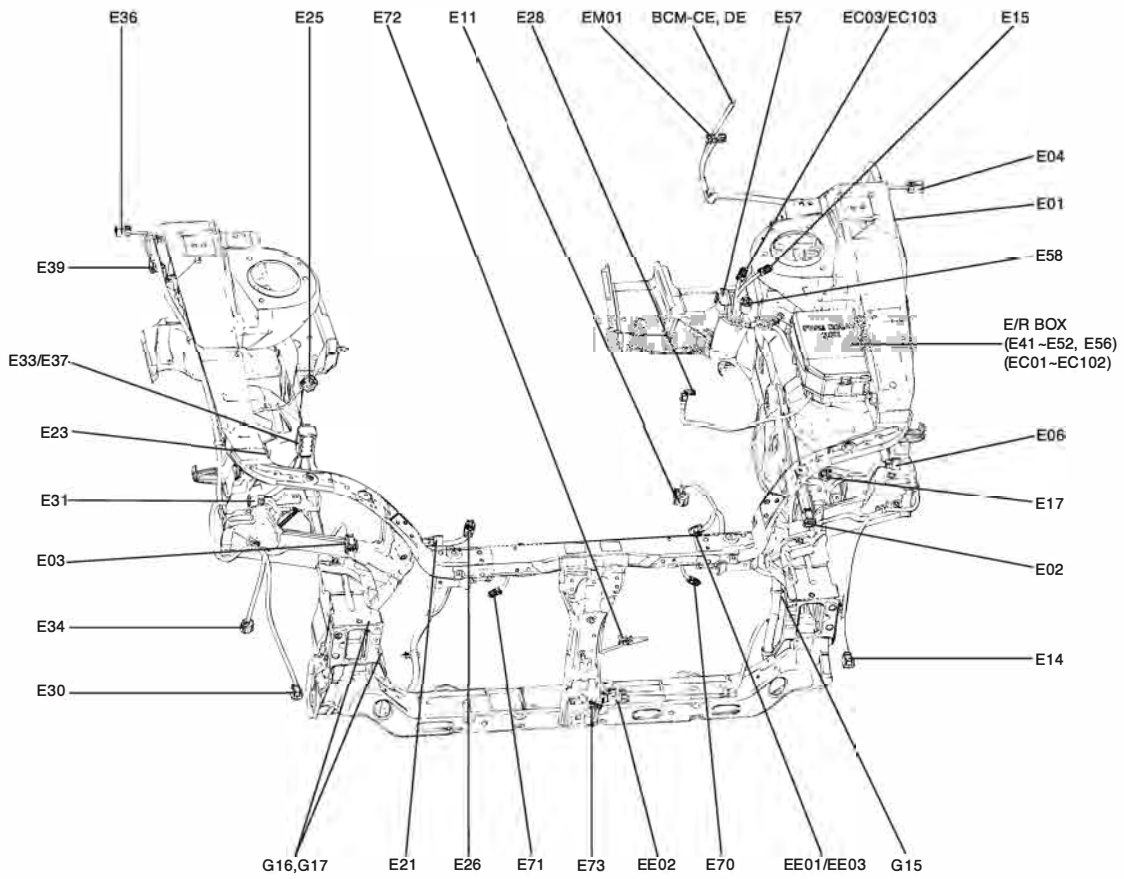


FLOOR HARNESS

M45	Joint connector	M80	Humidity sensor (Auto A/C)
M46	Joint connector	M82	Left rear combination lamp
M47	Left front seat warmer	M84	Right rear combination lamp
M48	Seat belt switch	M85	License lamp & Rear fog lamp
M50	Parking brake switch	M91	Canister close valve
M51	Right front seat warmer	BCM-EF	Connection with BCM MODULE harness
M53	Left door switch	BCM-FF	Connection with BCM MODULE harness
M54	Right door switch	BCM-GF	Connection with BCM MODULE harness
M55	Fuel sender & Fuel pump motor	MD01	Connection with LEFT DOOR harness
M62-1	AMP #1 (J290)	MD02	Connection with LEFT DOOR harness
M62-2	AMP #2 (J290)	MD03	Connection with RIGHT DOOR harness
M63-1	AMP #1	MD04	Connection with RIGHT DOOR harness
M63-2	AMP #2	MM01	Connection with MAIN harness
M64	Left rear wheel sensor	MM02	Connection with MAIN harness
M65	Right rear wheel sensor	MM03	Connection with MAIN harness
M68	Sub woofer	MM06	Connection with CANISTER EXT. harness
M70	Left rear speaker	MR01	Connection with TAIL GATE EXT. harness
M71	Right rear speaker	MR02	Connection with TAIL GATE EXT. harness
M73	Luggage room lamp	G01	Ground
M76	Rear intermittent wiper relay	G02	Ground
M79	Fuel tank pressure sensor	G04	Ground
		G05	Ground

ROOF HARNESS

M95	Overhead console lamp
M96	Sunroof
M97	Sunroof controller
M98	Electronic chrome mirror
M99	Sunroof motor
BCM-MR	Connection with BCM MODULE harness



ENGINE HARNESS**ENGINE HARNESS (2)****HL-6****ENGINE HARNESS**

E01 Left front wheel sensor
 E02 Left head lamp
 E03 Right head lamp
 E04 Left side repeater lamp
 E06 Left turn signal lamp
 E11 Radiator fan motor
 E14 Left front fog lamp
 E17 Burglar alarm horn
 E20-1 Generator (B+) (2.0L)
 E20-2 Generator (L) (2.0L)
 E21 Condenser fan motor
 E23 ESC air bleeding connector
 E25 Triple switch (2.0L)
 E26 Triple switch (2.7L)
 E28 Battery (B+) terminal (2.7L)
 E28-1 Battery (B+) terminal (2.0L)
 E30 Right front fog lamp
 E31 Right turn signal lamp
 E33 ESC module
 E34 Front & rear washer motor
 E36 Right side repeater lamp
 E37 ABS control module
 E39 Right front wheel sensor
 E41 Start relay
 E42 Engine control relay
 E43 Condenser fan relay #2
 E44 Radiator fan relay

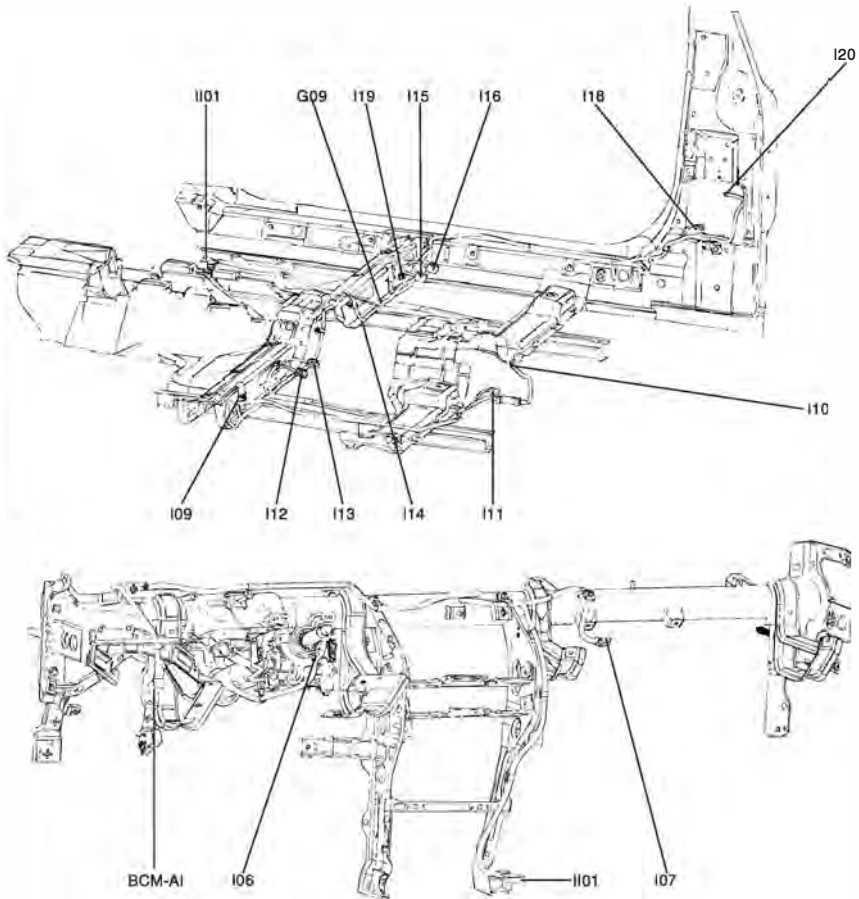
E45 Horn relay
 E46 Front wiper relay
 E47 Front fog lamp relay
 E48 Head lamp relay (LOW)
 E49 Fuel pump relay
 E50 A/C relay
 E51 Head lamp relay (HIGH)
 E52 Condenser fan relay #1
 E56 Joint connector
 E57 DRL control module
 E58 DRL resistor
 BCM-CE Connection with BCM MODULE harness
 BCM-DE Connection with BCM MODULE harness
 EC01 Connection with CONTROL harness (2.0L)
 EC02 Connection with CONTROL harness (2.0L)
 EC03 Connection with CONTROL harness (2.0L)
 EC101 Connection with CONTROL harness (2.7L)
 EC102 Connection with CONTROL harness (2.7L)
 EC103 Connection with CONTROL harness (2.7L)
 EE01 Connection with BATTERY harness (2.7L)
 EE02 Connection with ENGINE EXT. harness
 EE03 Connection with BATTERY harness (2.0L)
 EM01 Connection with MAIN harness
 EM02 Connection with MAIN harness
 G15 Ground
 G16 Ground
 G17 Ground

BATTERY HARNESS

E61-1 Generator (B+) (2.7L)
 E61-2 Generator (L) (2.7L)
 E62 Start solenoid (2.7L)
 E63 Start motor (B+) (2.7L)
 E67 Start solenoid (2.0L)
 E68 Start motor (B+) (2.0L)
 EE01 Connection with ENGINE harness(2.7L)
 EE03 Connection with ENGINE harness(2.0L)

ENGINE EXT. HARNESS

E70 Left horn
 E71 Center horn
 E72 AQS sensor (Auto A/C)
 E73 Ambient temperature sensor
 EE02 Connection with ENGINE harness



AIR BAG HARNESS

- I09 Driver satellite sensor
- I10 Driver seat belt pretensioner
- I12 Driver side air bag
- I13 Driver seat belt buckle switch
- I14 SRS control module
- I15 Passenger seat belt buckle switch
- I16 Passenger side air bag
- I19 Passenger satellite sensor
- I20 Passenger seat belt pretensioner
- I101 Connection with AIR BAG EXT. harness
- G09 Ground

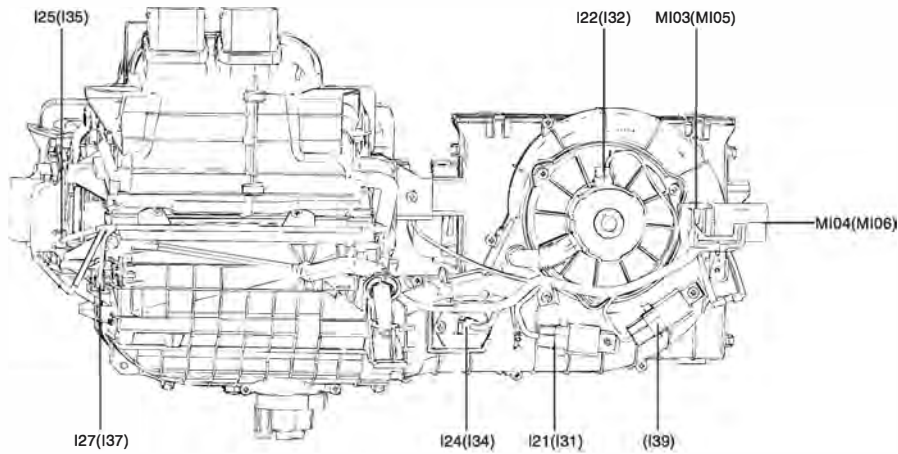
AIR BAG EXT.HARNESS

- I06 Driver air bag
- I07 Passenger air bag
- I101 Connection with AIR BAG harness
- BCM-AI Connection with BCM MODULE harness

GLOVE BOX LAMP HARNESS

- I01 Glove box lamp
- I02 Glove box lamp switch #1
- I03 Glove box lamp switch #2
- MI01 Connection with MAIN harness

A/C HARNESS (1)

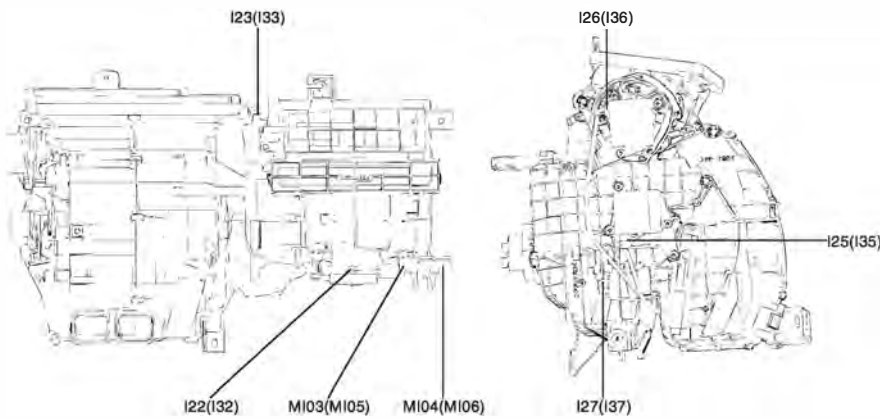


MANUAL A/C HARNESS

- I21 Blower relay
- I22 Blower motor
- I23 Intake actuator
- I24 Blower resistor
- I25 Temperature actuator
- I26 Blend door actuator
- I27 Thermostatic switch (Thermistor)
- MI03 Connection with MAIN harness
- MI04 Connection with MAIN harness

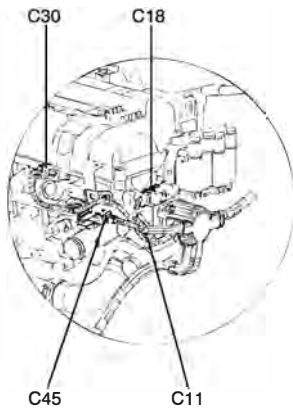
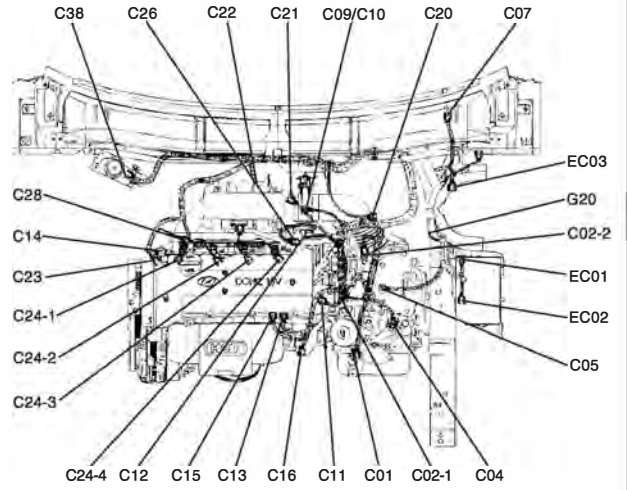
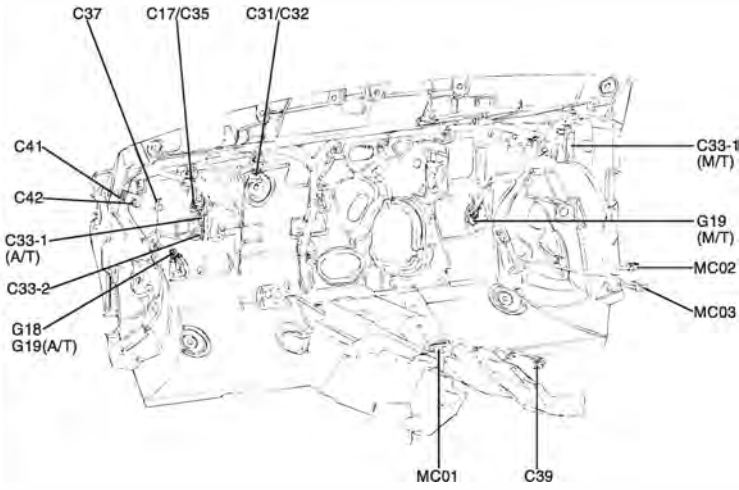
AUTO A/C HARNESS

- I31 Blower relay
- I32 Blower motor
- I33 Intake actuator
- I34 Power transistor
- I35 Temperature actuator
- I36 Blend door actuator
- I37 Thermostatic switch (Thermistor)
- I39 High blower relay
- MI05 Connection with MAIN harness
- MI06 Connection with MAIN harness



() : Auto A/C

CONTROL HARNESS (2.0L) (1)



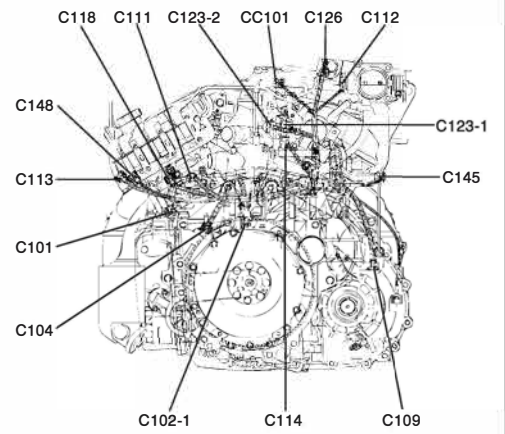
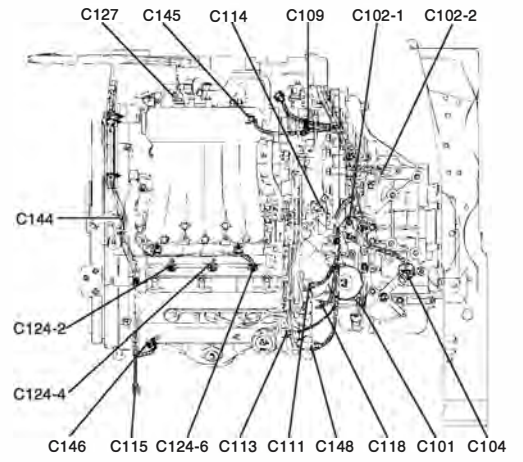
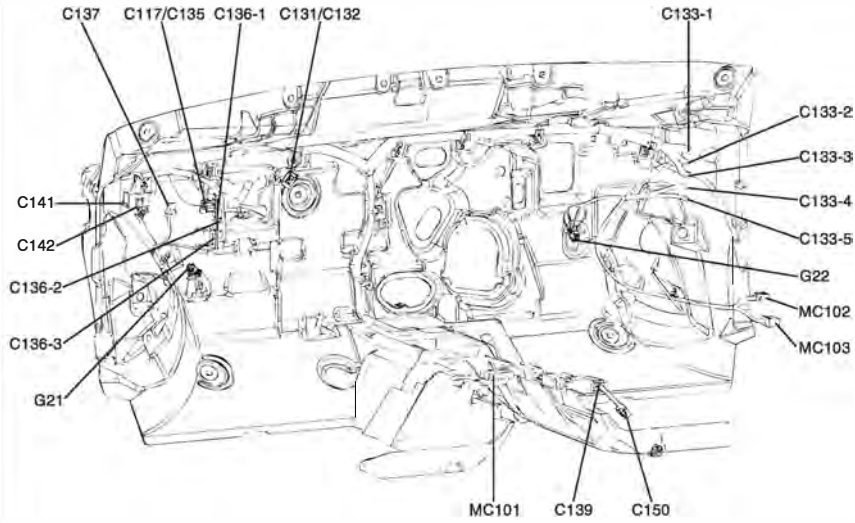
CONTROL HARNESS

C01	Transaxle range switch	C28	A/C compressor
C02-1	A/T pulse generator 'A'	C29	Hood switch
C02-2	A/T pulse generator 'B'	C30	Oil control valve (OCV)
C04	ATM solenoid valve	C31	Stop lamp switch (W/O ESC & Cruise)
C05	Back-up lamp switch (5M/T)	C32	Stop lamp switch (With ESC & Cruise)
C07	Front wiper motor	C33-1	PCM
C09	Vehicle speed sensor (A/T)	C33-2	PCM
C10	Vehicle speed sensor (M/T)	C35	Cruise clutch pedal position switch (M/T)
C11	Engine coolant temperature sensor & sender	C37	A/T control relay
C12	Throttle position sensor	C38	Cruise control module
C13	Crankshaft position sensor	C39	Sport mode switch
C14	Camshaft position sensor	C41	Joint connector
C15	Oil pressure switch	C42	Joint connector
C16	Oxygen sensor (UP)	C43	Mass air flow sensor
C17	Ignition lock switch	C45	Oil temperature sensor
C18	Ignition coil	C50	G-YAW sensor (With ESC)
C20	Brake fluid level sensor	C51	Pressure sensor (With ESC)
C21	Canister purge solenoid valve	EC01	Connection with ENGINE harness
C22	Oxygen sensor (DOWN)	EC02	Connection with ENGINE harness
C23	Knock sensor	EC03	Connection with ENGINE harness (With ESC)
C24-1	Injector #1	MC01	Connection with MAIN harness
C24-2	Injector #2	MC02	Connection with MAIN harness
C24-3	Injector #3	MC03	Connection with MAIN harness
C24-4	Injector #4	G18	Ground (PCM)
C26	Idle speed control actuator	G19	Ground (ECM)
		G20	Ground (CONTROL)

CONTROL HARNESS

CONTROL HARNESS (2.7L) (3)

HL-11



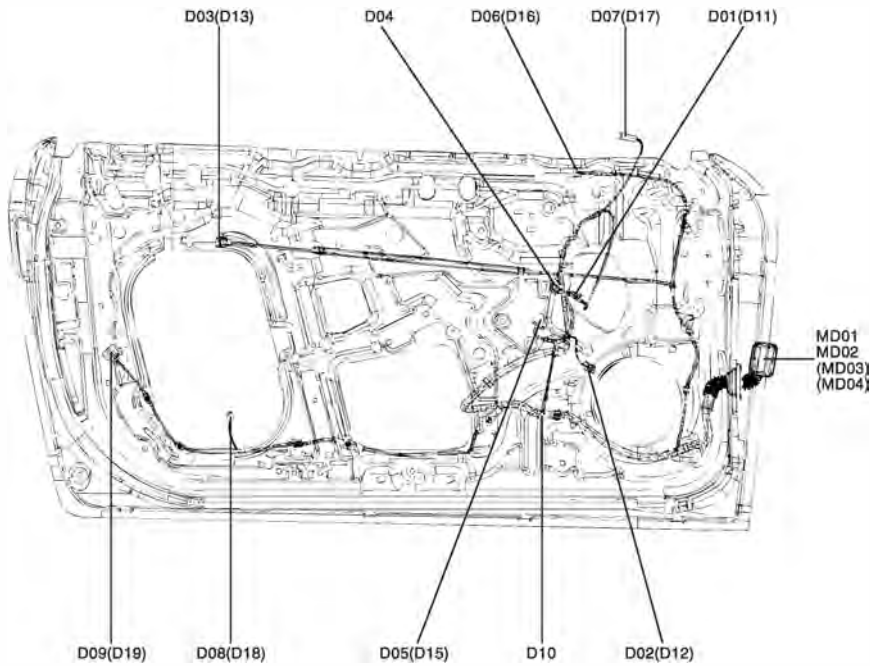
CONTROL HARNESS**CONTROL HARNESS (2.7L) (4)****HL-12****CONTROL HARNESS**

C101 Transaxle range switch
 C102-1 A/T pulse generator 'A'
 C102-2 A/T pulse generator 'B'
 C104 ATM solenoid valve
 C105 Back-up lamp switch (5M/T)
 C106 Back-up lamp switch (6M/T)
 C107 Front wiper motor
 C109 Vehicle speed sensor (A/T & 6M/T)
 C110 Vehicle speed sensor (5M/T)
 C111 Engine coolant temperature sensor & sender
 C112 Throttle position sensor
 C113 Crankshaft position sensor
 C114 Camshaft position sensor
 C115 Oil pressure switch
 C117 Ignition lock switch
 C118 Ignition coil
 C120 Brake fluid level sensor
 C121 Canister purge solenoid valve
 C123-1 Knock sensor #1
 C123-2 Knock sensor #2
 C124-2 Injector #2
 C124-4 Injector #4
 C124-6 Injector #6
 C125 Mass air flow sensor
 C126 Idle speed control actuator
 C127 Intake air temperature sensor
 C128 A/C compressor
 C129 Hood switch
 C131 Stop lamp switch (W/O ESC & Cruise)
 C132 Stop lamp switch (With ESC & Cruise)
 C133-1 ECM
 C133-2 ECM

C133-3 ECM
 C133-4 ECM
 C133-5 ECM
 C135 Cruise clutch pedal position switch(M/T)
 C136-1 TCM
 C136-2 TCM
 C136-3 TCM
 C137 A/T control relay
 C138 Cruise control module
 C139 Sport mode switch
 C141 Joint connector
 C142 Joint connector
 C144 Power steering switch
 C145 Oxygen sensor (B1/S1)
 C146 Oxygen sensor (B2/S1)
 C147 Oxygen sensor (B1/S2)
 C148 Oxygen sensor (B2/S2)
 C150 G-YAW sensor (With ESC)
 C151 Pressure sensor (With ESC)
 CC101 Connection with INJECTOR harness
 EC101 Connection with ENGINE harness
 EC102 Connection with ENGINE harness
 EC103 Connection with ENGINE harness (With ESC)
 MC101 Connection with MAIN harness
 MC102 Connection with MAIN harness
 MC103 Connection with MAIN harness
 G21 Ground (TCM)
 G22 Ground (ECM)
 G23 Ground (CONTROL)
 G24 Ground (ENGINE)

INJECTOR HARNESS

C124-1 Injector #1
 C124-3 Injector #3
 C124-5 Injector #5
 CC101 Connection with CONTROL harness



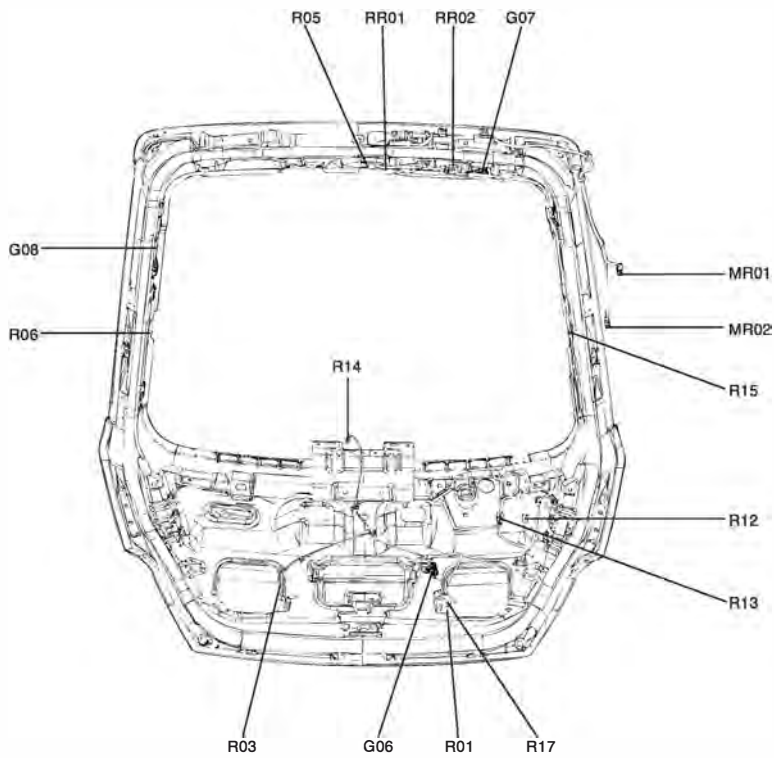
LEFT DOOR HARNESS

- D01 Left power window motor
- D02 Left front speaker
- D03 Left door key switch
- D04 Outside mirror switch
- D05 Left power window switch
- D06 Left outside mirror motor & Defogger
- D07 Left tweeter speaker
- D08 Left door lamp
- D09 Left door lock actuator
- D10 Trunk lid switch
- MD01 Connection with FLOOR harness
- MD02 Connection with FLOOR harness

RIGHT DOOR HARNESS

- D11 Right power window motor
- D12 Right front speaker
- D13 Right door key switch
- D15 Right power window switch
- D16 Right outside mirror motor & Defogger
- D17 Right tweeter speaker
- D18 Right door lamp
- D19 Right door lock actuator
- MD03 Connection with FLOOR harness
- MD04 Connection with FLOOR harness

() : RIGHT



TAIL GATE HARNESS

- R01 Trunk lid solenoid
- R03 Tail gate unlock switch
- R06 Rear window defogger (-)
- R12 High-mounted stop lamp (With Spoiler)
- R13 Rear wiper motor
- R14 High-mounted stop lamp (P/Tray)
- R15 Rear window defogger (+)
- R17 Luggage room lamp switch
- RR01 Connection with TAIL GATE EXT. harness
- RR02 Connection with TAIL GATE EXT. harness
- G06 Ground
- G07 Ground
- G08 Ground

TAIL GATE EXT. HARNESS

- MR01 Connection with FLOOR harness
- MR02 Connection with FLOOR harness
- RR01 Connection with TAIL GATE harness
- RR02 Connection with TAIL GATE harness